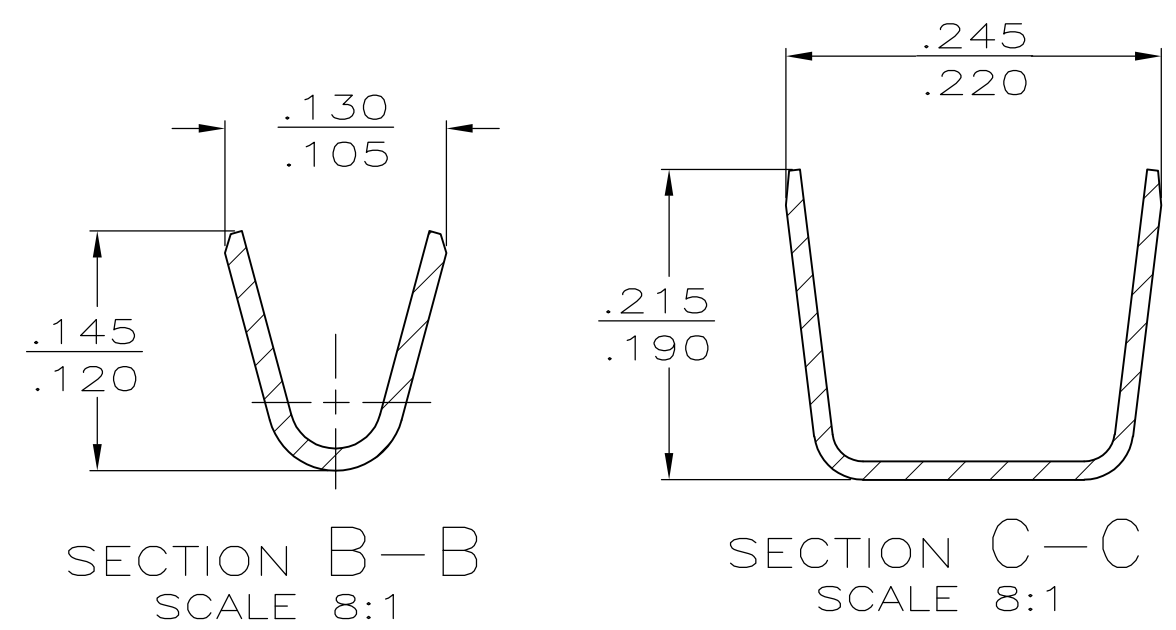
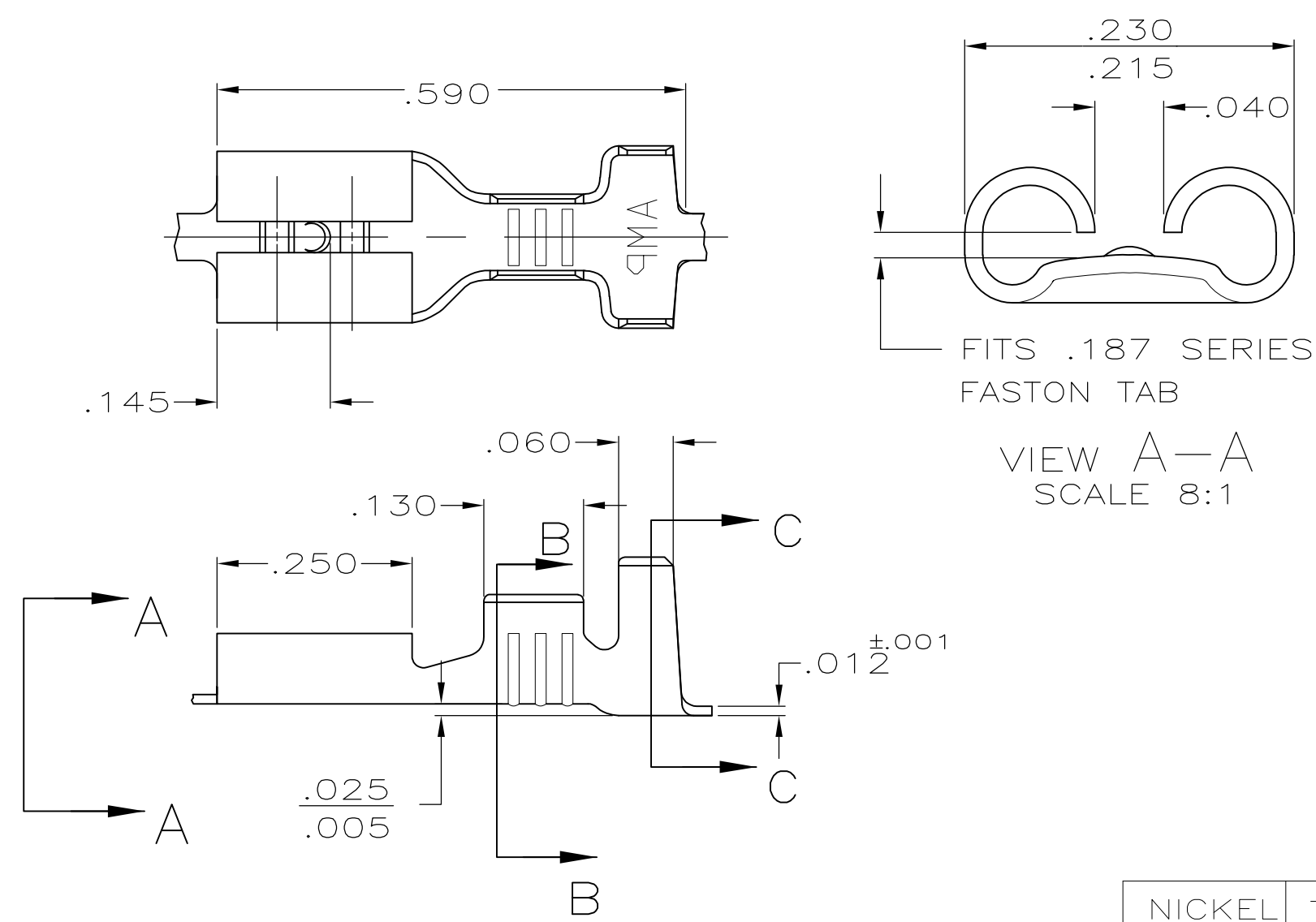


THIS DRAWING IS UNPUBLISHED. RELEASED FOR PUBLICATION
 © COPYRIGHT - By - ALL RIGHTS RESERVED.

LOC	DIST	REVISIONS			
P	LTR	DESCRIPTION	DATE	DWN	APVD
-	-	N	REVISED PER ECR-12-013445	27OCT12	KH PD

- 1 CONTINUOUS STRIP ON REELS
- △ 2 PRELIMINARY - NOT FOR PRODUCTION



NICKEL	T2 STEEL		18-16		△ 2 60487-3
TIN	BRASS	.105-.210 OR (2) .105 MAX	OR (2) #18's	.020	60487-2
-					60487-1
FINISH	MATERIAL	INSULATION RANGE	WIRE SIZE	MATING TAB THK ±.001	PART NO

F	.210	.188	F	.100	.055	16
					.049	18
TYPE	WIDTH	STRIP LENGTH ±.015	TYPE	WIDTH	±.002 HEIGHT	WIRE
INSUL BARREL CRIMP			WIRE BARREL CRIMP			

THIS DRAWING IS A CONTROLLED DOCUMENT.

DIMENSIONS: INCHES

TOLERANCES UNLESS OTHERWISE SPECIFIED:

0 PLC	± -
1 PLC	± -
2 PLC	± -
3 PLC	± .015
4 PLC	± -
ANGLES	± -

MATERIAL: SEE TABLE

FINISH: SEE TABLE

DWN: JR RUTH 7/14/89
 CHK: MS FEHER 7/14/89
 APVD: -

STE TE Connectivity

NAME: RECEPTACLE, FASTON, .187 SERIES

PRODUCT SPEC: -
 APPLICATION SPEC: -

SIZE: A3 CAGE CODE: 00779 DRAWING NO: C-60487 RESTRICTED TO: -

WEIGHT: -

CUSTOMER DRAWING SCALE: 5:1 SHEET: 1 OF 1 REV: N